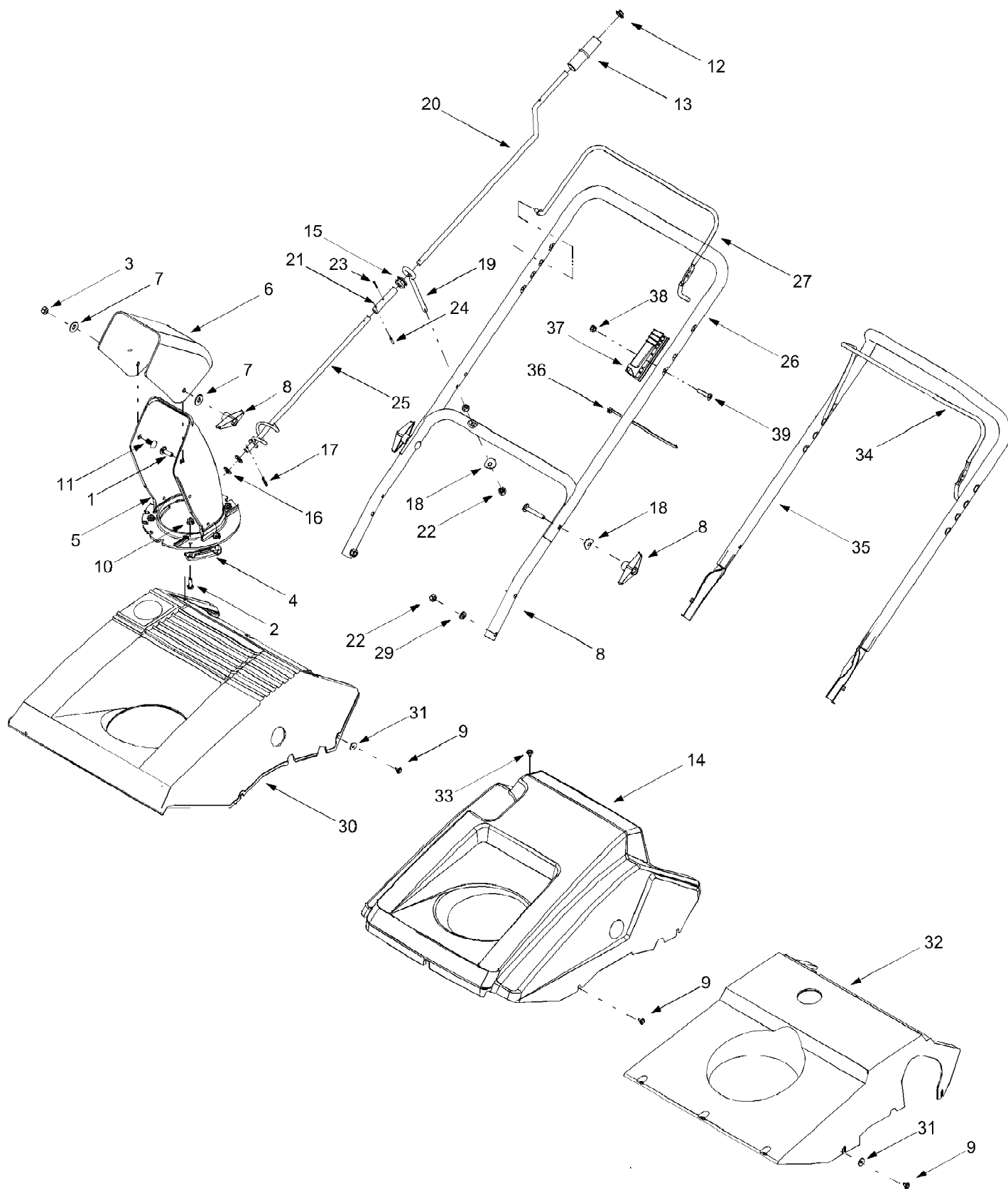


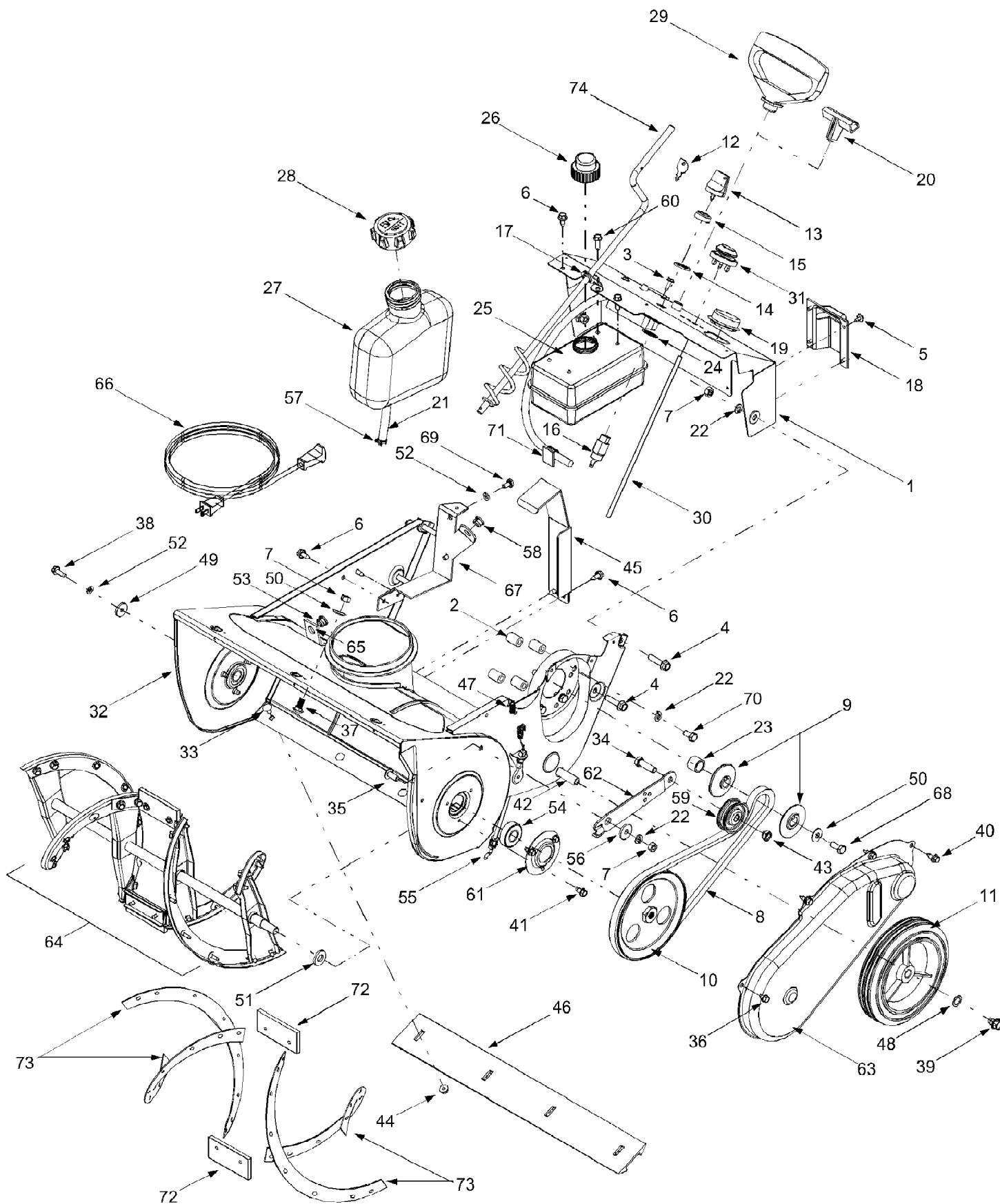
31B-140-000 Snow Thrower 140 (2002)  
Handle Assembly (Part 1)



31B-140-000 Snow Thrower 140 (2002)  
Handle Assembly (Part 1)

Page 2 of 5

Ref #	Part Number	Qty	S/P/F	Description
1	710-0276	1	/P	Splined Carriage Screw, 5/16-18 x 1.0
2	710-3015	1	/P	Hex Cap Screw, 1/4-20 x .75
3	712-3068	1	S	Hex Lock Nut, 5/16-18
4	731-0851A	1	/P	Chute Flange Keeper
5	731-0915B	1	S	Lower Chute, 5.0
6	731-0921	1	S	Upper Chute, 5.0
7	736-0159	1	S	Washer, .349 x .879 x .063
8	720-0284	1	S	Wingnut Knob, 5/16-18
9	710-1268	1	/P	Screw, #10-16 x .375
10	712-3027	1	S	Hex Flange Lock Nut, 1/4-20
11	710-0451	1	/P	Carriage Bolt, 5/16-18 x .75
12	726-0100	1	S	Push Cap, 3/8
13	720-0201A	1	/P	Knob, 1.0 x 3.2
14		1		Shroud, Black-Models E162 & E172 Not used in this application
15	735-0234	1		Rubber Grommet, .44 x .94 x .50
16	736-0185	1	S	Flat Washer, .375 x .738 x .063
17	714-0104	1	S	Internal Cotter Pin, .072 x 1.12
18	736-0451	1	S	Saddle Washer, .320 x .93
19	747-0697	1	/P	Eyebolt, .70
20	747-0737	1	S	Upper Chute Crank
21	750-0785	1	S	Spacer, .382 x .50 x 1.12
22	712-3010	1	S	Hex Nut, 5/16-18
23	714-0507	1	S	Cotter Pin, 3/32 x .75
24	715-0138	1	S	Rolled Pin, 1/8 x .63
25	684-0126	1	S	Chute Crank Assembly
26	749-0705	1		Upper Handle
27	747-0946	1		Auger Bail (Control Handle)
?28	749-0796B	1	S	Lower Handle
29	736-0119	1	S	Lock Washer, 5/16
30		1		Shroud, Black-Models 150 & E150 Not used
31	736-0400	1	S	Flat Washer, .194 x .62 x .063
32	731-0702	1		Shroud, Black Model 140
33	710-1003	1	/P	Screw, #10-16 x .625
34	747-0956	1		Auger Bail (Control Handle), Gullwing-style
35	749-0711A	1		Upper Handle, Gullwing-style
	720-0295	1	/P	Foam Grip, 22" (Not included with handle)
36	725-0157	1	/P	Cable Tie
37	746-0883	1		Control (Cable) Housing
38	712-0324	1	/P	Nylon Hex Lock Nut, 1/4-20
39	710-1270	1		Machine Screw, 1/4-20 x 1.31



31B-140-000 Snow Thrower 140 (2002)  
Handle Assembly (Part 2)

Page 4 of 5

Ref #	Part Number	Qty	S/P/F	Description
1	684-0056	1	F	Dash Assembly Model 140
2	750-0589	1	S	Spacer, .325 x .625 x .88 Model 140
3	710-1003	1	/P	Screw, #10-16 x .625
4	710-1090	1	/P	Hex Flange Screw, 5/16-18 x 1.25
5	710-1268	1	/P	Screw, #10-16 x .375
6	710-1652	1	/P	Self-tapping Screw, 1/4-20 x .625
7	712-3010	1	S	Hex Nut, 5/16-18
8	754-0367	1	S	Drive Belt Model 140
9	756-0416B	1	S	Pulley Half-.625 x 2.25
10	756-0475	1	/P	Auger Drive Pulley
11	734-1176	1		Wheel Assembly, 7 x 1.5
12	725-0201	1	S	Ignition Key
13	725-1341B	1	/P	Ignition Key w/ Plastic Cover
14	712-0252	1	/P	Jam Nut, 5/8-32 Model 140, 150, E150
15	725-1347	1	/P	Ignition Switch Cap
16	725-1425	1	S	Ignition Switch
17	784-5178A	1	/P	Chute Crank Bracket Model 140
18	731-1089A	1	/P	Choke Cover
19	731-1133C	1	/P	Spark Plug Cap
20	7510009630	1	/P	Recoil Handle (Standard)
21	751-0535	1		Fuel Line Hose
22	736-0119	1	S	Lock Washer, 5/16
23	750-0716	1		Spacer, .630 x .88 x .680
24	736-0225	1	/P	Internal Lock Washer, 5/8 x 1.058 x .046
25	751-0352	1	/P	Gas Tank, 1 qt Model 140
26	751-0353	1	S	Fuel Cap For 751-0352
27		1		Gas Tank, 2 qt. Model 150, E150, E162, E172; Not used
28		1		Fuel Cap For 751-0540A (50:1 Red Print); Not used
29	7510009636	1	/P	Recoil Handle (Mitten Grip)
30	723-0354	1	S	Primer Tube
31	751-0354	1	S	Primer Bulb
32	684-0114A	1	S	Auger Housing Assembly
33	710-0167	1	/P	Screw, 1/4-20 x .50
34	710-0191	1	/P	Cap Screw, 3/8-24 x 1.25
35	710-0323	1	/P	Trus Machine Screw, 5/16-18 x .75
36	710-0352	1	/P	Hex Index Washer Screw, 1/4-14 x .375
37	710-0451	1	/P	Carriage Bolt, 5/16-18 x .75
38	710-0642	1	/P	Self-tapping Screw 1/4-20 x .75
39	710-0773	1		Self-tapping Screw 3/8-16 x .50
40	710-0896	1	/P	Self-tapping Screw, 1/4-14 x .625
41	710-1005	1	S	Self-tapping Screw, 1/4-14 x .50
42	711-0848A	1	S	Axle, .35 x .5 x 20.75
43	712-0116	1	S	Jam Lock Nut, 3/8-24
44	712-3027	1	S	Hex Flange Lock Nut, 1/4-20
45	784-5177	1	S	Engine Support Bracket Model 140
46	731-1033	1	/P	Shave Plate, 2.66 x 19.88
47	732-0357A	1	S	Extension Spring, .33 x 1.12
48	736-0108	1	S	Flat Washer, .51 x .75 x .033
49	736-0176	1	S	Flat Washer, .265 x .938 x .120
50	736-0242	1	/P	Flat Washer, .340 x .872

Ref #	Part Number	Qty	S/P/F	Description
51	736-0326	1	S	Flat Washer, .51 x 1.0 x .125
52	736-0329	1	S	Lock Washer, 1/4
53	741-0475	1	S	Plastic Bushing
54	741-0600	1	S	Ball Bearing, 17mm x 40mm x 12mm
55	746-0910A	1	S	Cable, 41.78" (Includes end spring)
56	748-0234	1	/P	Shoulder Spacer
57	726-0205	1	/P	Hose Clamp, .49
58	741-0475	1	S	Plastic Bushing, .38
59	756-0313	1	/P	Flat Idler Pulley, 1.88 x .50 x 2.12
60	710-0895	1		Hi-Lo Self-tapping Screw, 1/4-15 x .75
61	784-5174	1	S	Bearing Cup
62	784-5175B	1	S	Brake Idler Bracket
63	784-5176	1		Belt Cover
64	784-5485	1	S	Solid Shaft Auger Assembly
65	784-5720	1	S	Chute Crank Bracket
66	629-0236	1	/P	110V Extension Cord, 2-prong
67		1		Fuel Tank Support Bracket Model 150, E150, E162 & E172; Not used
68	710-0157	1	/P	Hex Cap Screw, 5/16-24 x .75
69	710-3013	1	/P	Hex Cap Screw, 1/4-20 x .50
70		1		Hex Cap Screw, 5/16-24 x .625 Model 150, E150, E162, E172; Not used
	710-0805	1	/P	Hex Cap Screw, 5/16-18 x 1.50 Model 140
71	726-0152	1		Self-adhesive Clamp, .5 (For starter cable)
72	731-0782	1	S	Rubber Paddle
73	731-0780A	1	S	Rubber Paddle/Spiral
74	784-5344	1		Chute Crank Assembly Model 140
	OEM-390-697	1	F	Electric Start Kit Accessories & Kits; Not Shown
	OEM-737-0325	1		MTD Two-Cycle Snow Thrower Oil (Contains six 2.6 oz. bottles); Accessories & Kits; Not Shown
	753-0451	1	/P	Shave Plate (Includes replacement shave plate and hardware); Accessories & Kits; Not Shown
	753-0613	1		Auger Rubber Paddle Kit (Includes replacement rubber paddles and hardware); Accessories & Kits; Not Shown